

Airprint - 1010

Industrial GSM/GPRS Modem

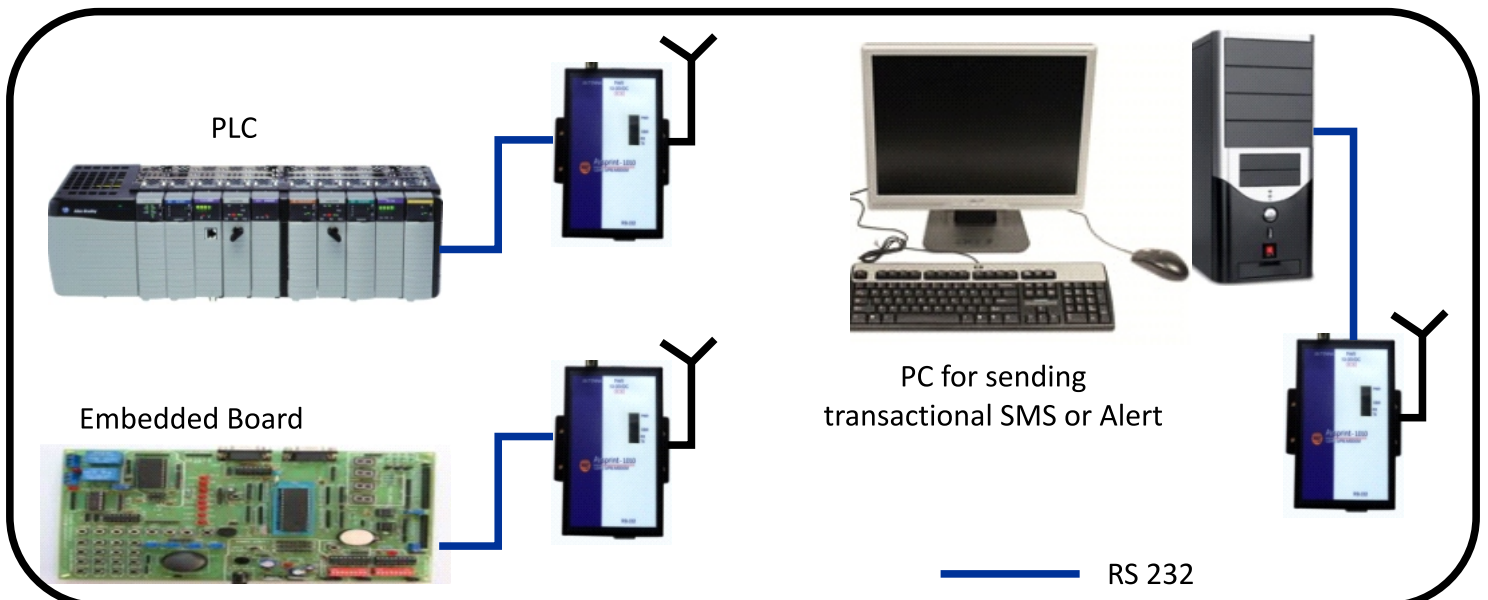
Airprint -1010 is a rugged Industrial GSM/GPRS 2G Modem meant for generic use for sending SMS, data over GPRS & even email messages through simple ASCII AT Commands. It can be used with Computers , PLC'S or even Microcontrollers using a standard RS 232 cable.



Features:-

- 2G GSM/GPRS Modem with 2db Antenna
- Power: 24 VDC adapter/10-30 VDC
- Interface Connector : Sub D 9-pin Connector, used for RS232 serial link connection.
- Antenna Connector :SMA(Male) Antenna Connector
- GSM SIM Holder inbuilt.

Application Schematic



Ordering Info:-

1. Airprint-1010 : Industrial GSM/GPRS Modem.
Power : 10-30 VDC , Screw Terminal
2. Airprint-1010 : Industrial GSM/GPRS Modem.
Power : 12 VDC jack , Adaptor provided
3. Ant-01 : 2 dbi Stub Antenna
4. Ant-02 : 3 dbi Magnetic Stand Antenna with 3 mtr cable



Micro System Foundations

8, Ho Chi Minh Sarani, 12D, Harrington Mansions,
Kolkata - 700 071 (India)

☎ : (91) (33) 3008 4955 Fax : (91) (33) 2282 2267

✉ : kamak@msf.co.in 🌐 : www.msf.co.in